

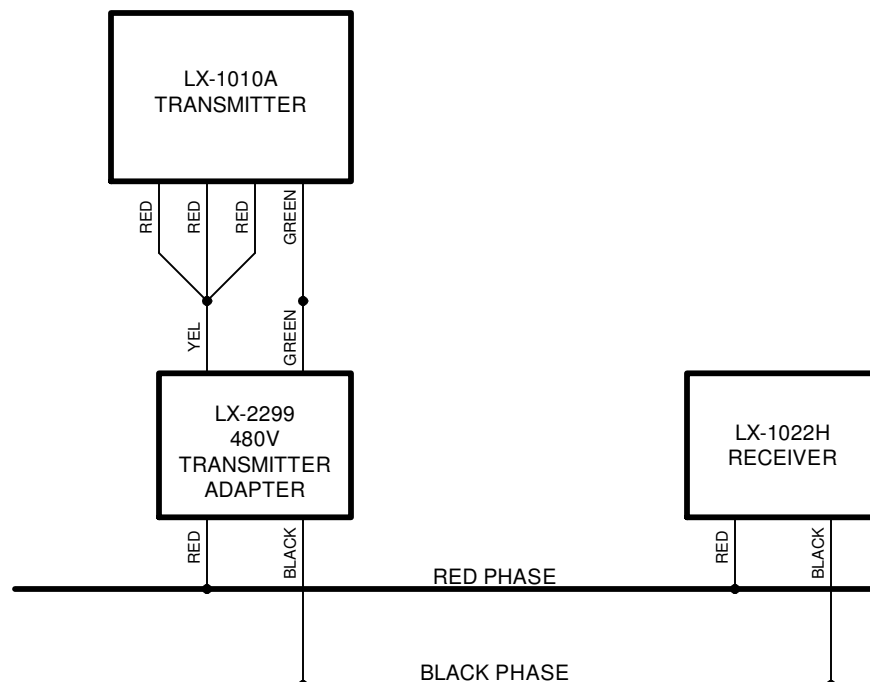
# Wirelynx Powerline Carrier Systems

Brayden Automation Corp.  
6230 Aviation Circle  
Loveland, CO 80538  
(970)461-9600  
www.wirelynx.com

## Model LX-2299A Transmitter Adapter for 480VAC PLC Applications

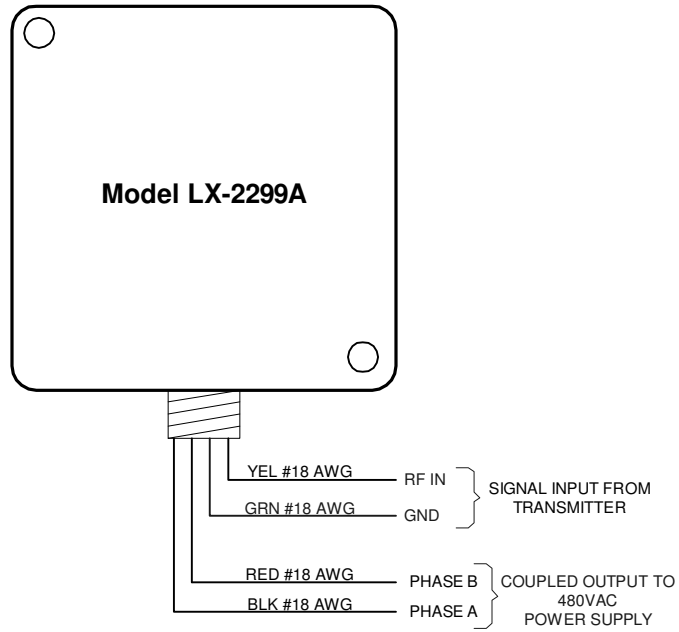
1. Mount the Wirelynx Model LX-2299A Powerline Carrier Transmitter Adapter to an electrical enclosure using the 1/2" chase nipple with the locknut supplied. A 1/2" knockout in the electrical enclosure will allow for direct mounting. Alternately, order the Wirelynx receiver mounting bracket part # 01021-01001A.
2. Identify or designate two phase conductors to which the LX-2299A 480VAC PLC Transmitter Adapter's BLACK and RED Wires will be connected. These wires should be able to be identified at each location where a PLC Receiver will be connected. See Figure 1 below.
3. Connect the LX-2299A's BLACK #18AWG lead to the identified "Black" phase. Connect the RED #18AWG lead to the identified Red phase. Use an appropriate circuit breaker or fused disconnect switch for circuit protection. The LX-2299A is designed specifically to interface the Model ES1020A or LX-1010A PLC Transmitters to a 480VAC electrical service.
4. Connect the LX-2299A's #18AWG YELLOW wire to all three #18AWG RED wires of the Transmitter. Secure with appropriately sized wirenut or other suitable connector. Connect the #18AWG GREEN lead to the #18AWG GREEN wire of the transmitter. Refer to Figure 2.
5. Replace cover for safety prior to energizing (turning on) circuit. Secure cover with screws.
6. Turn on power to receiver by turning on breaker or disconnect switch.

Figure 1



**Figure 2**

**MODEL LX-2299A WIRE DEFINITIONS**



**Figure 3**

